

SPORCHI4

Design by Rainer Mutsch

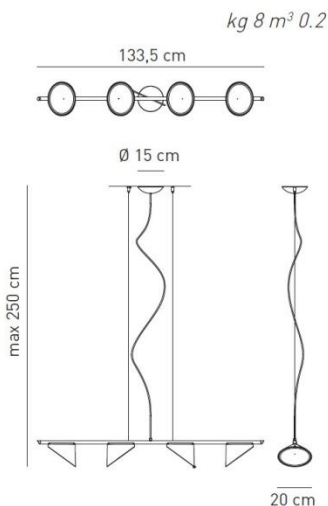
Collection consisting of aluminium wall lamps, ceiling lamps, suspended lamps and floor lamps. Available in several colours.

Typology: SUSPENSION LAMP

Ratings

- Built in line voltage **LED** module
- CCT 3000 K
- Downlight
- Surface installation over holes
- Supply voltage ~220-240V
- Switch mode: on-off dimmable trailing edge
- Die cast aluminum body, painted
- Opalescent diffuser

Product code composition



ORCHID				
Type	Article	Colours	Code End	Source
SP	ORCHI 4	BC white SA sand	XX	LED 4 x 15W - diffused beam 3000K available on request 2700K or 4000K

220-240VAC **LED** 4 x ~1350 lm 90lm/W

example composition code: |SP| ORCHI4 |BC| XX |LED

Available colors



EELc (Energy Efficiency Label compatibility) contain built in LED lamps that cannot be changed: A, A+, A++

CUSTOMER _____ NOTES _____

SPORCHI4_XXLED _____

NOTICE:

Luminous flux (lm) and efficacy (lm/W) for all LED luminaires is based on nominal ratings of the LED sources. Technical data could be subject to alteration without notice. Axo Light does not provide legal guarantee for the accuracy of this data sheet.