



**SPULI090**  
Design by Timo Ripatti

Collection consisting of wall lamps, ceiling lamps and suspended lamps in aluminium. Available in several colours and sizes.

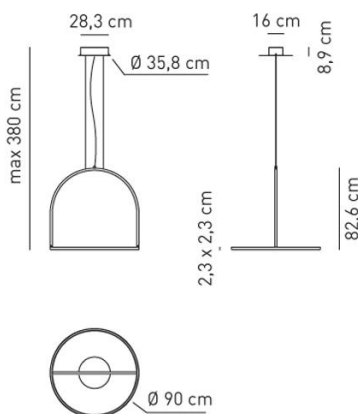
Typology: SUSPENDED LAMP

Ratings

- Built in **LED** module
- CCT 3000 K
- Downlight
- Surface installation over holes
- Supply voltage ~100-240VAC
- Switch mode: on-off
- Dimmable 1-10V LED driver
- Painted aluminium profile 23 x23 mm
- Opalescent diffuser

Product code composition

kg 11,8 m<sup>3</sup> 0.175



**U-LIGHT / downward lighting only / DRIVER INCLUDED**

Type	Article	Colours	Code End	Source
SP	ULI 090 LED	<b>AN</b> anthracite grey  <b>RU</b> rust brown	<b>XX</b>	LED 63W - diffused beam <b>3000K</b> other CCT available on request. please ask to our customer service.

~4904 lm 78 lm/W 100-240V<sub>AC</sub>

example composition code | SP | ULI090LED | RU | XX |

Available colors



**AN**  
Anthracite grey

**RU**  
Rust brown

EELc (Energy Efficiency Label compatibility) contain built in LED lamps that cannot be changed: A, A+, A++

CUSTOMER \_\_\_\_\_ NOTES \_\_\_\_\_

SPULI090LED \_ \_ XX

\_\_\_\_\_

Luminous flux (lm) and efficacy (lm/W) for all built-in LED luminaires is based on nominal ratings of the LED sources. Technical data could be subject to alteration without notice. Axo Light does not provide legal guarantee for the accuracy of this data sheet.