

<b>Lamp base - Description</b>	Power consumption	Lamp type	Light direction
E26 - Medium	1 x max 250 w	T	direct, indirect
<b>Voltage supply</b>	120 V		
<b>Connection</b>	Connect the electrical wires into j-box		
<b>Fixing</b>	Holes fit for installation		
<b>Protection degree</b>	Only dry location		
<b>Ground</b>	Yes		
<b>Switch mode</b>	Switch on/off		
<b>Cavo</b>	Isolato, trasparente, circolare		
<b>Structure</b>	Polished steel or gold leaf		
<b>Lampshade material</b>	Double-layered colored glass hand twisted pendants		

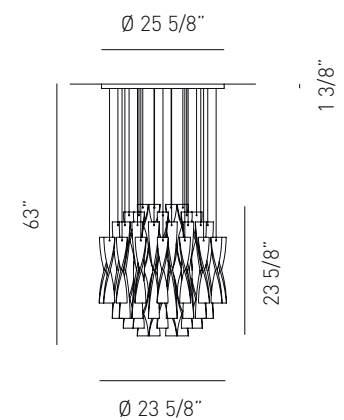
## US AVIR 60

Design by Manuel Vivian

Aura collection with double-layered colored glass hand twisted pendants. Ceiling plates in polished steel or gold leaf. Glass available in white, red, black, orange, tea and ribbed crystal.

Typology: SUSPENSION

Certifications:

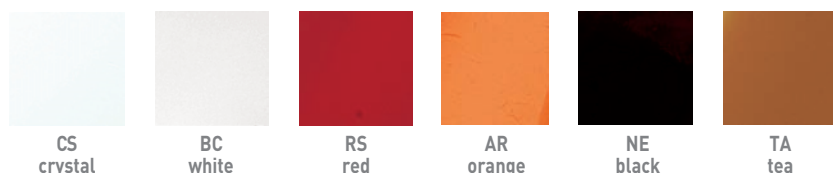


\* modified name for the american market

**Product code composition**

CODE	COLOUR	FITTINGS	BULBS
USAVIR60CSCRE26	crystal		
USAVIR60BCCRE26	white		
USAVIR60RSCRE26	red	polished steel	
USAVIR60ARCRE26	orange		
USAVIR60NECRE26	black		
USAVIR60TACRE26	tea		
			E26 1 x max 250 w
USAVIR60CSORE26	crystal		
USAVIR60BCORE26	white		
USAVIR60RSORE26	red	gold leaf	
USAVIR60ARORE26	orange		
USAVIR60NEORE26	black		
USAVIR60TAORE26	tea		

**Lampshade available colours**



USAVIR60 \_\_ \_R E26

NAME \_\_\_\_\_

NOTES \_\_\_\_\_

\_\_\_\_\_

\_\_\_\_\_

\_\_\_\_\_

**Notes**

Technical data could be subject to alteration without notice. Axo Light does not provide legal guarantee for the accuracy of this data sheet.